

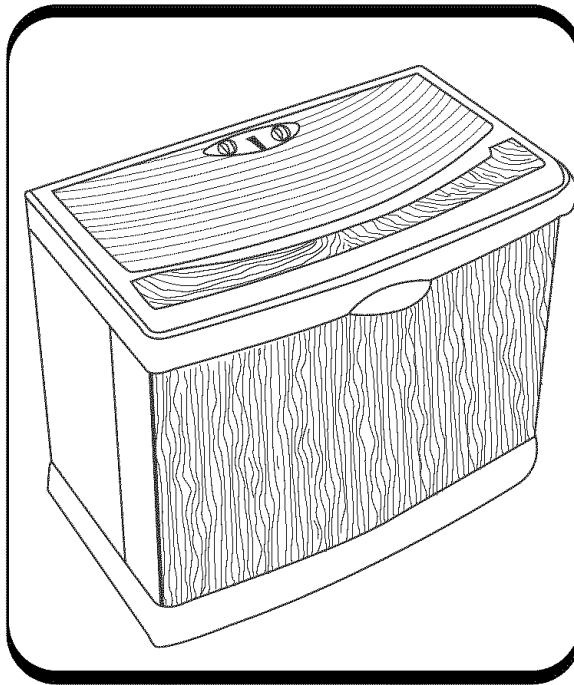
READ AND
SAVE THESE
INSTRUCTIONS

SEARS

**owner's
manual**

Stock No.
42-14416

Model No.
758.144160



Kenmore[®]

QUIET COMFORT

**WHOLE HOUSE
HUMIDIFIER
12 Gallon Output**

**Innovative Twin Fan
Technology**

- **Operating Instructions**
- **Parts List**

**FOR YOUR
SAFETY:
READ
ALL INSTRUCTIONS
CAREFULLY**

Sears, Roebuck and Co., Hoffman Estates, IL 60179 U.S.A.

Part No. SP6423

Printed in Canada

FULL ONE YEAR WARRANTY ON HUMIDIFIER

If within one (1) year from the date of purchase, this humidifier fails due to a defect in material or workmanship, Sears will repair it, free of charge. If within two (2) years from the date of purchase, the motor fails due to defect in material or workmanship, Sears will repair it free of charge.

This warranty service is available by simply returning the humidifier to the nearest Sears Store, and it will be repaired or replaced, at Sears option, free of charge.

This warranty applies only while this product is used in the United States.

This warranty gives you specific legal rights, and you may also have other rights which vary from state to state.

Sears, Roebuck and Co., D/817 WA, Hoffman Estates, IL 60179

GENERAL SAFETY INSTRUCTIONS

Safety Signal Words

DANGER: means if the safety information is not followed, someone **will** be seriously injured or killed.

WARNING: means if the safety information is not followed, someone **could** be seriously injured or killed.

CAUTION: means if the safety information is not followed, someone **may** be seriously injured or killed.

1. To reduce the risk of fire or shock hazard, plug humidifier directly into a 120V, A.C. electrical outlet. Do not use extension cords.
2. Keep the electric cord out of traffic areas. To reduce the risk of fire hazard, never put the electric cord under rugs, near heat registers, radiators, stoves or heaters.
3. Always unplug the humidifier before moving it, before cleaning, or whenever the humidifier is not in service.
4. Keep the humidifier clean.
5. Do not put foreign objects inside the humidifier.

6. Never use your humidifier while any part is missing or damaged in any manner.
7. To reduce the risk of electrical hazard or damage to humidifier, do not tilt, jolt or tip humidifier while unit is running.
8. To reduce the risk of damage to humidifier, unplug humidifier, when humidifier cabinet is empty or when the humidifier is not in use.
9. To reduce the risk of accidental electrical shock, do not touch the cord or controls with wet hands.
10. Note the warning label shown below and on the humidifier.

WARNING: To avoid fire or shock hazard:

1. Unplug humidifier before filling.
2. Close the control cover.
3. Fully open front access door.
4. If controls get wet, let them dry completely. Have unit checked by authorized personnel before plugging back in.
5. Do not overfill.

Table of Contents

Warranty Information	2	Water Fill	6
General Safety Instructions	2	Operating Humidifier Controls	7
To Save A Service Call	2	Manual Dryout.....	7
Know Your Humidifier	3	Using Your Humidifier	8
Humidifier Operations	4	Operating Tips for Best Performance	8
Assembly	4	Replacement and Care of Filters.....	9-10
Location Instructions	5	Cleaning Your Humidifier	11-12
Electrical Hook-Up	6	Troubleshooting	13
		Repair Parts.....	14-15

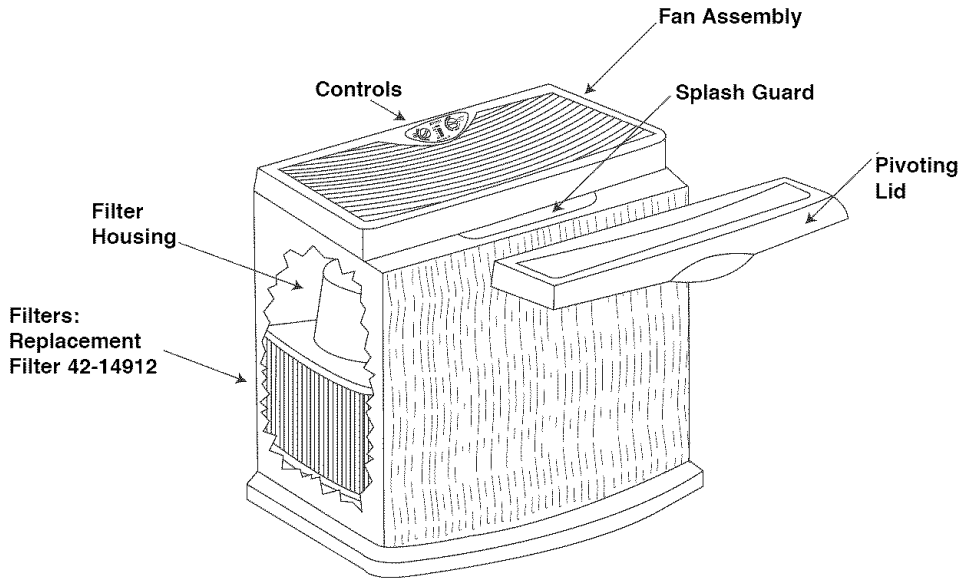
To Save a Service Call

Check the following if your humidifier will not operate.

1. Is power cord attached to outlet?
2. Is there electrical power to outlet?
3. Is airflow control in operating position?
4. Is humidity control set high enough?
5. Is there enough water in the humidifier cabinet?

Know Your Humidifier

Pivoting Lid Removed for Clarity



Description	42-14416
Gallon Output/24 Hrs.	12
Water Reservoir Capacity	4.75 Gallons
* Sq. Ft. Coverage	2500
Fan Speeds	3
Filters	4 Pack (42-14912)
Water Level Indicator	Yes
Fill Indicator	Yes
Auto Humidistat	Yes
Auto Shut Off	Yes
Controls	Rotary
CUL Listed	Yes
Volts	120 A.C.
Hertz	60
Amps	2.28
Watts	130

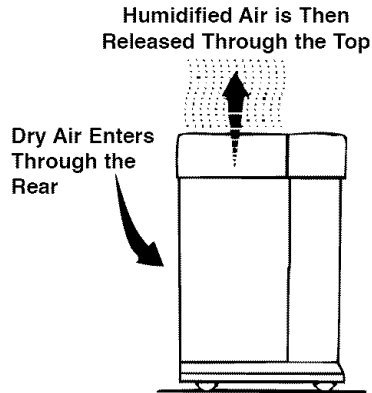
* Based on an area with average insulation and an 8 foot ceiling height.

Humidifier Operations

Your new Sears humidifier is designed to satisfy home humidity requirements through the principle of evaporation of water into the air.

After water is added to the cabinet, the filters begin to soak up the water and become totally saturated in approximately 30 minutes. Air is drawn in from the rear of the humidifier and through the filters by means of circulation fans. As air passes through the filters, moisture is absorbed into the air and then released through the top of the humidifier. This moist air is released in the form of vapor. No water droplets will enter the home. All evaporation into the air takes place in the humidifier, which means that the residue left by evaporating water is not passed into the home, but remains in the filter.

CAUTION: Use only 42-14900 EPA Registered Bacteriostat available from SEARS Retail store. Under no circumstances should you use water treatment products designed for Roto belt or Ultrasonic humidifiers.



CAUTION: Keep your humidifier clean. While humidifiers do not cause colds, some studies suggest that dirty humidifiers can cause cold-like symptoms in some people. To reduce the risk of this, we recommend you clean your humidifier weekly with Humidifier Cleaner 42-14713 and use Bacteriostat 42-14900. These are available at your local Sears store

Assembly

Your new Sears Kenmore humidifier is completely assembled for you to use. Remove the packaging material from inside your humidifier and follow the instructions of this owner's manual for proper usage. The packaging material is located below the fan assembly. Remove all of the packaging material and discard.

NOTE: The filters may have shifted during shipping. Ensure that they are properly seated in the bottom of the cabinet below the top filter housings before filling. Refer to "Replacement and Care of Filters" section on page 9.

Location Instructions

WARNING: For your own safety, do not use humidifier if any parts are damaged or missing.

Step 1

Place humidifier on a flat level surface in an area of the house where most humidity is needed, or one which would likely result in moist air being circulated throughout the house such as near a cold air return.

Placing the unit level is very important. Be sure to verify that unit is level if the humidifier is located on carpeting.

Moist air (humidity) produced will disperse into the whole house, but area closest to the unit will have the highest humidity. If the unit is positioned close to a window, condensation may form on the window pane. If this is not appropriate the unit should be repositioned in another location.

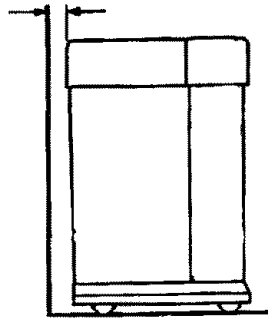
NOTE: Due to release of cool, moist air from humidifier, it is best to direct air away from home thermostat and hot air regis-

ters. It is best to position humidifier next to an inside wall. Hot air registers and cold air from outside walls can affect the efficiencies of the controls. Unit should not be placed where warm air from a hot air register blows directly on unit.

Step 2

The humidifier should be positioned with the back (cord exit side), at least 2 inches away from the wall. Air needs to enter through the louvers in the rear of the cabinet in order for the humidifier to operate at peak efficiency

At Least 2" From Wall



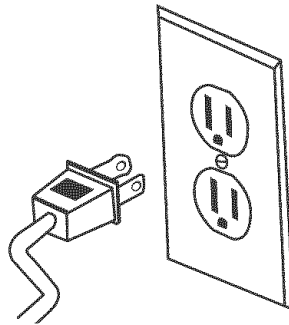
Electrical Hook-Up

Locate nearest 120V A.C. wall socket in the location desired, preferably on inside wall. Plug in the electrical cord.

WARNING: To reduce the risk of fire or shock hazard, humidifier should be plugged into a 120V A.C. outlet. Do not use extension cords.

To reduce the risk of electrical shock, this humidifier has a polarized plug (one blade is wider than the other). This plug will fit in a polarized outlet only one way. If the plug does not fit fully in the outlet,

reverse plug. If it still does not fit, contact a qualified electrician to install the proper outlet. Do not change the plug in any way.



Water Fill

WARNING: To reduce the risk of shock, always unplug humidifier before cleaning or servicing.

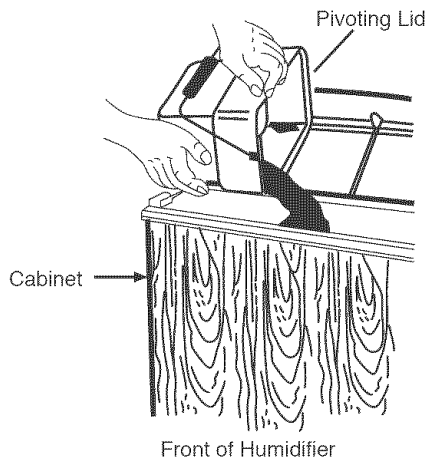
WARNING: To reduce the risk of fire or shock hazard, do not pour or spill water into control or motor area. Close the control cover. If controls get wet, let them dry completely and have unit checked by an authorized service personnel before plugging in.

This humidifier is designed to be filled using a bucket fill method. The unit should be positioned where it will be operating. To fill the humidifier, close the control cover and open the pivoting lid. Notice the splash guard inside the cabinet of the humidifier. Use recommended mixture of cold water and if necessary Sears Bacteriostat #42-14900 only. Pour the water slowly from a bucket into the cabinet onto the center of splash guard. **NOTE:** Deflect water off center of splash guard when filling. The water deflects off the splash guard and drops into the bottom of the cabinet. Do not pour water onto top of unit or control area. Standing in front of the humidifier, notice

the "FULL" labels positioned to the left and right at the bottom inside of the cabinet. These labels indicate the maximum amount of water that can be poured into the humidifier.

Do not fill water in the cabinet above this line. If you do, water will leak out of the cabinet and onto the floor.

NOTE: Deflect water off center of splash guard when filling.



Operating Humidifier Controls

The operating controls of your Kenmore Quiet Comfort Whole House humidifier are located on the top center of the humidifier. The controls are found under the smoked control cover, located between the air circulating fans.

Lift the control cover by placing your finger in the round cutout and lifting. The cover will stay open. Now you can clearly see the control area. Familiarize yourself with the controls and reference the diagram of the control area for the correct naming used in this manual.

To Operate the Controls

Humidity Control:

Adjust the amount of humidity depending on your needs. The humidifier will turn on and off as required to maintain level of humidity selected. A medium setting is recommended, but there are times when a low or high amount of humidity may be preferred. For constant operation of humidifier, turning the control all the way clockwise allows for the maximum amount of humidity to be evaporated into the air continuously.

IMPORTANT: Water damage may result if condensation starts to form on windows or walls. Humidity Control setting should be lowered until condensation no longer forms.

Speed Control:

Your Kenmore humidifier has a three speed rotary fan control. The higher the air flow speed, the more water is evaporated and released into the air. Low speed (•) is the quietest and is provided for conditions that may not require as high an evaporation rate.

Water Level Indicator

This humidifier is equipped with a water level gauge located in the center of the control panel. When the cabinet is full of water the large window opposite the scale will show green. As water is depleted the amount of green will decrease to correspond with the scale.

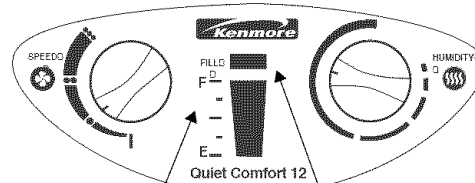
Fill Indicator

When the unit has a small amount of water left in it, the small window next to Fill on the control panel will appear orange and the unit will automatically shut off.

NOTE: The cabinet may have a small amount of water in it once unit shuts off.

Manual Dryout

At the end of the humidification season or if



Water Gauge

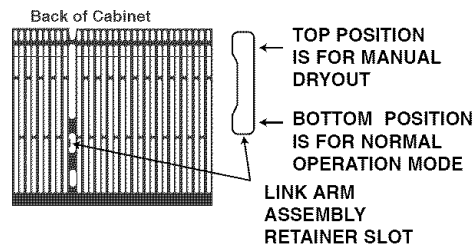
Fill Indicator

you do not plan to run the humidifier for one week or more, you can override the automatic shutoff function to completely dry the humidifier cabinet out.

To do this, simply slide the link arm assembly retainer located at the back of the humidifier cabinet to the top position of the slot it is located in. This will hold the float in an upward position and the fans will run until you turn the power off.

NOTE: Be sure to position link arm assembly retainer to the normal operating mode (lowest position in slot) for humidifier operation.

Below is a diagram of the slot the link arm assembly retainer is located in at the back of the cabinet.



Using Your Humidifier


Step 1

Be sure humidifier is full of water and plugged in.

Step 2

Set Speed Control  to low speed "•".

Step 3

Set Humidity Control  to a medium position.

NOTE: Humidifier should operate with humidity control on the recommended medium setting. If it does not, the humidity is at a relatively high level. To test the unit under this condition, turn Humidity Control all the way clockwise and unit should begin to operate. After the unit has been tested, set Humidity Control to medium or desired level.

Allow 24 hours for humidifier to adjust.

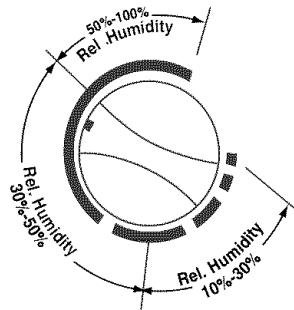
If humidity level in home is sufficient, the humidifier will only operate with Humidity Control turned all the way clockwise.

IMPORTANT: Water damage may result if condensation starts to form on windows or walls. Humidity Control setting should be lowered until condensation no longer forms.

Step 4

If humidifier stops running and the unit is not empty the humidity level is at the normal requirements for that setting or it is adjusting to the home conditions. The table below shows recommended indoor humidity levels. The figure below shows approximate relative humidity percentages which correspond to the various settings of the Humidity Control.

When Outdoor Temperature is:	Recommended Indoor Relative Humidity is:
-10°F	20%
0°F	25%
10°F	30%
20°F & above	35%



Relative Humidity

Operating Tips for Best Performance

1. Position the humidifier at least 2 inches from any wall and away from any heat registers.
2. Do not restrict airflow from entering or exiting the humidifier.
3. Use Sears recommended bacteriostat 42-14900 to retard bacteria growth that may cause odors and may be harmful to your health.
4. Perform regular cleaning as instructed in "Cleaning Your Humidifier" section of this manual.
5. Replace the evaporative wicking filters at least once per humidification season or more depending on water conditions in your area.

Replacement and Care of Filters

WARNING: To reduce the risk of shock or injury from moving parts, always unplug humidifier before removing or replacing any parts.

CAUTION: To help retard bacteria growth and keep maximum efficiency, the filters should be replaced at least once per season, or more often under hard water conditions. Use Sears recommended replacement filter 42-14912.

All filters may be rinsed in clear water only. Take care not to damage paper. To replace evaporative wicking filters in your Kenmore Quiet Comfort Whole House humidifier, follow the instructions below.

1. Unplug humidifier and proceed to clean.

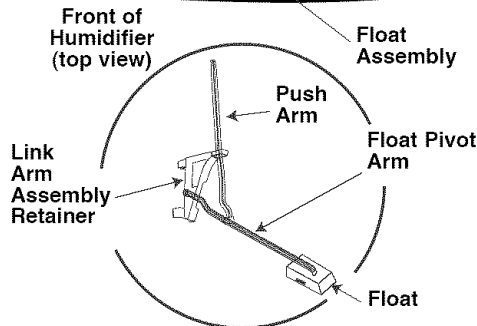
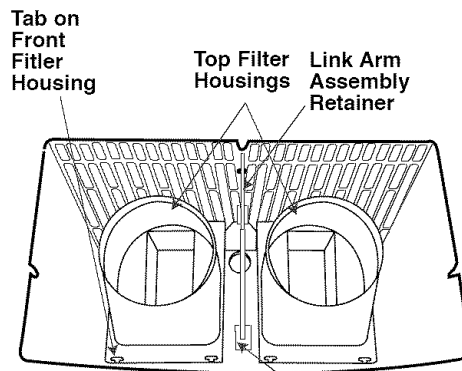
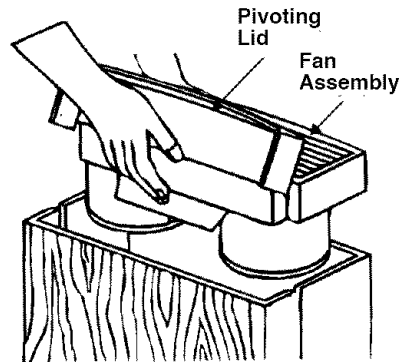
Before removing the filters, we recommend moving the humidifier to an area where floor coverings are not susceptible to water damage, i.e. kitchen or bath areas.

2. To remove parts

Remove the fan assembly by opening the pivoting lid. Grasp the fan assembly front center and rear center. Lift off and set aside on a clean flat surface. The filter housing assemblies are now accessible.

NOTE: There are two filter housing assemblies. Each assembly consists of a top filter housing and a front filter housing. The front filter housing contains tabs that secure the top filter housing. Do not remove the front filter housings.

3. To remove top filter housing, deflect the two vertical tabs on top of front filter housing and lift up and out of cabinet. With a soft, absorbent cloth remove any remaining water or loose mineral deposits not trapped in the filter from the filter housing assemblies.
4. Remove the two filters and dispose of properly. Repeat for other top filter housing. Clean internal parts of humidifier per the "Cleaning of Humidifier" section of this owner's manual.



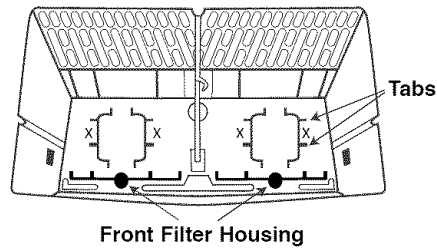
Exploded View of Float Assembly

Replacement and Care of Filters (continued) —

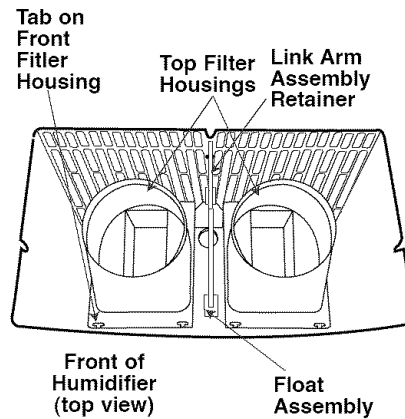
5. a. Install new filters (42-14912) in the bottom of the cabinet.

NOTE: The new filters will only fit into the cabinet one way. Take note of the inner cabinet detail where the filters sit. Each pair of filters must be positioned so the glue beads face out from each other. Refer to figure 5a.

- b. Place the filters into the bottom of the cabinet so the open pleats slip over the tabs in the bottom of the cabinet. Repeat for other side.
- c. Reposition top filter housings on top of filters and snap into front filter housings.
- d. Position fan assembly onto the cabinet. Make sure the fan venturi (lowest cylinder section below the fan) is placed inside the top filter housings.
- e. Close the pivoting lid on the fan assembly.
- f. The unit is ready for use or to be stored away for next season.



Front of Humidifier
Figure 5a. - Filter Locations Marked X



Cleaning Your Humidifier

WARNING: To reduce the risk of injury, fire or damage to humidifier, use only cleaners specifically recommended for humidifiers. Never use flammable, combustible or poisonous materials to clean your humidifier. To reduce the risk of scalds and damage to humidifier, never put hot water in humidifier.

CAUTION: Local water purity varies from area to area and under certain conditions water impurities and airborne bacteria may promote the growth of microorganisms in the reservoir of the humidifier.

To retard bacteria growth that may cause odors and be harmful to your health, use only Sears replacement filters. We also recommend using EPA approved bacteriostat, 42-14900 and humidifier cleaner 42-14713, available at your local Sears store.

NOTE: If it is necessary to use approved bacteriostat, follow directions correctly.

The cabinet of the whole house humidifier will hold 4-3/4 gallons.

Step 1

To make cleaning easier, the humidifier cabinet should be empty and completely dried out. To accomplish this, use the following method:

- On the back side of the humidifier cabinet, find the link arm assembly retainer. In normal operating mode, the retainer will be positioned in the bottom of the slot in the cabinet. Push the retainer up to the top slot position in the cabinet until it locks into place. (See "Manual Dryout" section on page 7.)
- Allow the humidifier to run until there is no water left in the cabinet.
- Unplug humidifier.

WARNING: If humidifier is not unplugged, fan could start after housing is removed.

Step 2

To Remove Parts

- Remove the fan assembly by opening the pivoting lid. Grasp the fan assembly front center and rear center. Lift off and set aside on a clean flat surface.
- Before removing the internal parts of the humidifier cabinet, we recommend moving the humidifier to an area where floor coverings are not susceptible to water damage, i.e. kitchen or bath area.
- Deflect the two vertical tabs on top of the front filter housing to release the top filter housing. Lift top filter housing straight up and out of cabinet. Repeat for other top filter housing.
- Remove old filters and dispose of properly.
- Remove the water level float assembly from the humidifier cabinet by pinching the link assembly retainer to disengage it from the rear of the cabinet. See diagram on page 9.
- Empty cabinet of any remaining water.
- Proceed to "Bi-Weekly Maintenance" or "End of Season Maintenance" and then continue as described below.

Step 3

Install new filters (Kenmore 42-14912 Replacement Filters) into the location where the old filters were positioned. Reinstall the water level float assembly into the cabinet.

NOTE: Link arm assembly retainer should be positioned in normal operating mode. Assure that it is positioned in the bottom of the slot in the back of the cabinet. (See page 7 for diagram of slot.) Reposition top filter housings on top of filters and snap onto front filter housings. Position the fan assembly on top of the cabinet and return the humidifier to the desired location for use. Refill humidifier cabinet with fresh cool water. Plug the unit into a 120 volt A.C. power outlet and set the controls per the "Operating Humidifier Controls" section of this manual.

Cleaning of Humidifier (continued) _____

Bi-Weekly Maintenance

Removing Scale

1. Fill the humidifier cabinet with one 8 oz. cup of undiluted white vinegar. Let solution stay 20 minutes.
2. Clean all interior surfaces with a soft brush. Dampen a soft cloth with undiluted white vinegar and wipe out the cabinet to remove scale.
3. Rinse thoroughly with clean warm water to remove scale and cleaning solution before disinfecting the humidifier cabinet.
4. Dust the fan assembly and outside surfaces with a soft cloth only.

Disinfecting Humidifier Cabinet

1. Fill humidifier cabinet with 1 teaspoon chlorine bleach in 1 gallon of water. Let solution stay for 20 minutes, swishing every few minutes. Wet all surfaces normally exposed to water.
2. Empty humidifier cabinet after 20 minutes. Rinse with water until bleach smell is gone. Allow unit to dry out completely.

End of Season Maintenance

1. Follow "Bi-Weekly Maintenance" instructions at end of humidification season.
2. Remove and throw away filters.
3. Let humidifier dry completely before storing. Do not store with water inside cabinet.
4. Store in cool, dry location.
5. Install new filters in clean humidifier before next season begins.
6. "Bi-Weekly Maintenance" is also recommended if you do not plan to use the humidifier for one week or more.

Troubleshooting

TROUBLE	PROBABLE CAUSE	REMEDY
Unit will not run.	<ul style="list-style-type: none"> Selected humidity level has been established No power 	<ul style="list-style-type: none"> Raise humidistat setting if desired Check 120 volt source for power
Unit will not shut off	<ul style="list-style-type: none"> Float assembly positioned in "Manual Dryout" position Float is not free 	<ul style="list-style-type: none"> Slide link arm assembly retainer to lowest position in slot at back of cabinet. (See page 7) Free float from obstruction
Unit will not dry out completely	<ul style="list-style-type: none"> A small amount of water will remain in cabinet when water level indicator reads FILL. 	<ul style="list-style-type: none"> Position float assembly in "Manual Dryout" position. (See page 7)
Unit is not emptying during use	<ul style="list-style-type: none"> Dirty filters 	<ul style="list-style-type: none"> Change to fresh new filters
Water runs out of rear of unit	<ul style="list-style-type: none"> Water splashing during filling. Too much water added 	<ul style="list-style-type: none"> Deflect fill water off the center of the splash guard Do not overfill past "Full" label in cabinet
Water level gauge not functioning properly.	<ul style="list-style-type: none"> Filters interfering with float 	<ul style="list-style-type: none"> Be sure filters are positioned properly in bottom of cabinet. (See page 9.)

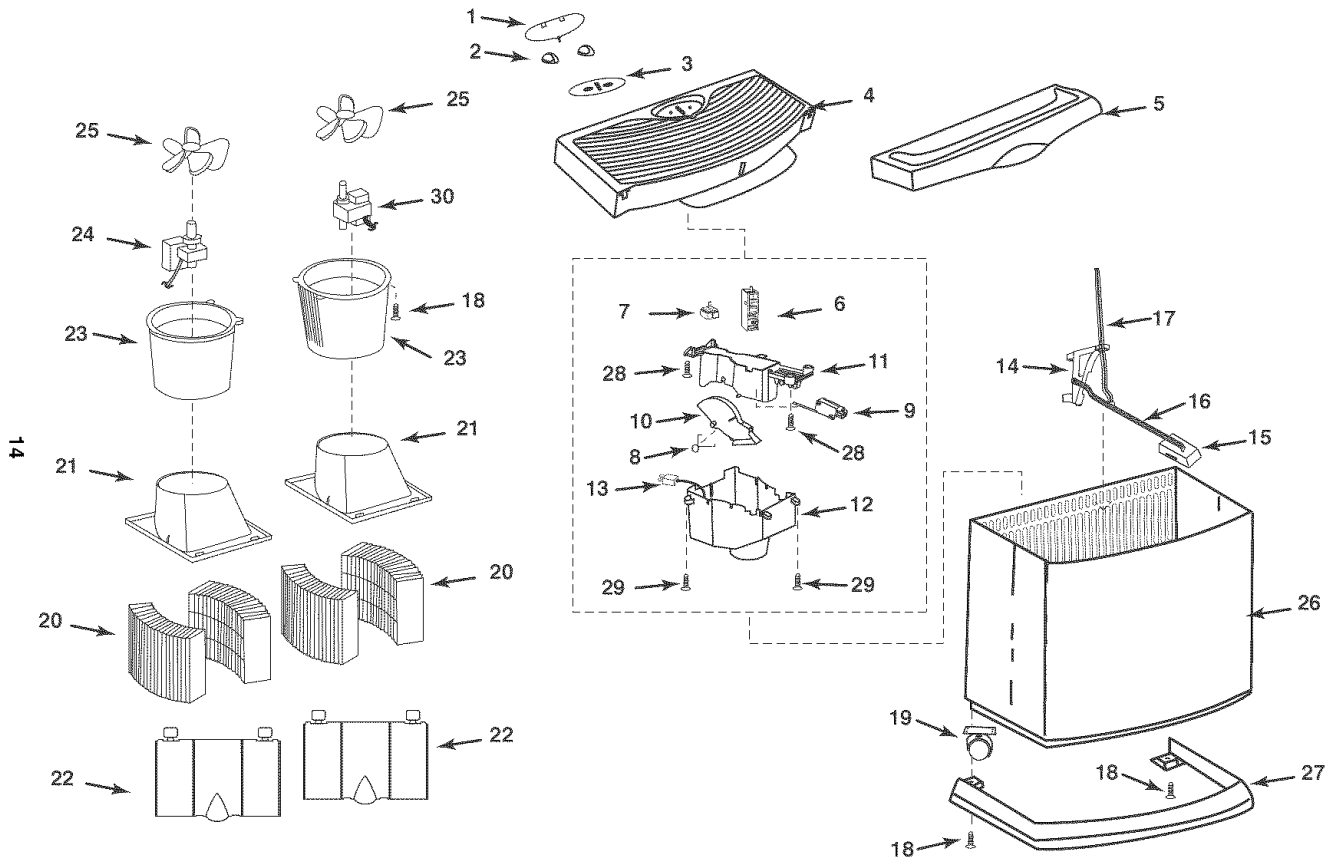
CAUTION: Use only 42-14900 EPA Registered Bacteriostat available from Sears Retail store.

Use of other water treatment products may damage the filter elements.

Under no circumstances should you use water treatment products designed for Roto belt or Ultrasonic humidifiers.

Repair Parts

Parts List for Sears Humidifier Model No. 758.144160



Repair Parts

Parts List for Sears Humidifier
Model No. 758.144160
 Always order by part number - Not by key number

Key No.	Part No.	Description
18	STD601107	* Screw, Pan Hd. Ty "AB" #10 x 3/4
19	828515	Caster, Twin Wheel
20	42-14912	† Filter, Evaporative
21	828194	Housing, Top Filter
22	828195	Housing, Front Filter
23	828534	Support Motor
24	828115	Motor (Includes mounting hardware)
25	822406-1	Fan
26	828998	Cabinet
27	823726	Rail Kick
28	816069-5	* Screw, Pan Hd. Type AB #6 x 1/2
29	STD600805	* Screw, Pan Hd. Ty. "AB" #8 x 1/2
30	828907	Motor (Includes Lead)
-	SP6423	Owner's Manual (Not Illustrated)

† Stock Item - May Be Secured Through Sears Retail and Catalogue Stores.

Key No.	Part No.	Description
1	828743	Cover, Dust
2	828756	Knob
3	828760	Label, Control
4	828741	Lid, Stationary
5	828855	Lid, Pivoting
6	822409	Humidistat
7	823912	Switch, Rotary
8	828754	Spring, Torsion
9	828898	Switch, Micro
10	828747	Wheel, Indicator
11	828748	Retainer, Micro Switch
12	828744	Enclosure, Electronics
13	824120	Cord w/Plug
14	828757	Retainer, Link Arm Assembly
15	828746	Float, Water Level
16	828758	Arm, Float Pivot
17	828759	Push, Arm

* Standard Hardware Item - May be purchased locally.

Notes _____

Get it fixed, at your home or ours!

Your Home

For repair – **in your home** – of **all** major brand appliances, lawn and garden equipment, or heating and cooling systems, **no matter who made it, no matter who sold it!**

For the replacement parts, accessories and owner's manuals that you need to do-it-yourself.

For Sears professional installation of home appliances and items like garage door openers and water heaters.

1-800-4-MY-HOME[®] (1-800-469-4663)

Call anytime, day or night (U.S.A. and Canada)

www.sears.com www.sears.ca

Our Home

For repair of carry-in items like vacuums, lawn equipment, and electronics, call or go on-line for the location of your nearest

Sears Parts & Repair Center.

1-800-488-1222

Call anytime, day or night (U.S.A. only)

www.sears.com

To purchase a protection agreement (U.S.A.) or maintenance agreement (Canada) on a product serviced by Sears:

1-800-827-6655 (U.S.A.)

1-800-361-6665 (Canada)

Para pedir servicio de reparación a domicilio, y para ordenar piezas:

1-888-SU-HOGARSM

(1-888-784-6427)

Au Canada pour service en français:

1-800-LE-FOYER^{MC}

(1-800-533-6937)

www.sears.ca

SEARS

® Registered Trademark / TM Trademark / SM Service Mark of Sears, Roebuck and Co.

® Marca Registrada / TM Marca de Fábrica / SM Marca de Servicio de Sears, Roebuck and Co.

^{MC} Marque de commerce / ^{MD} Marque déposée de Sears, Roebuck and Co.

© Sears, Roebuck and Co.